

## 9700 Paddle Latch

### Features

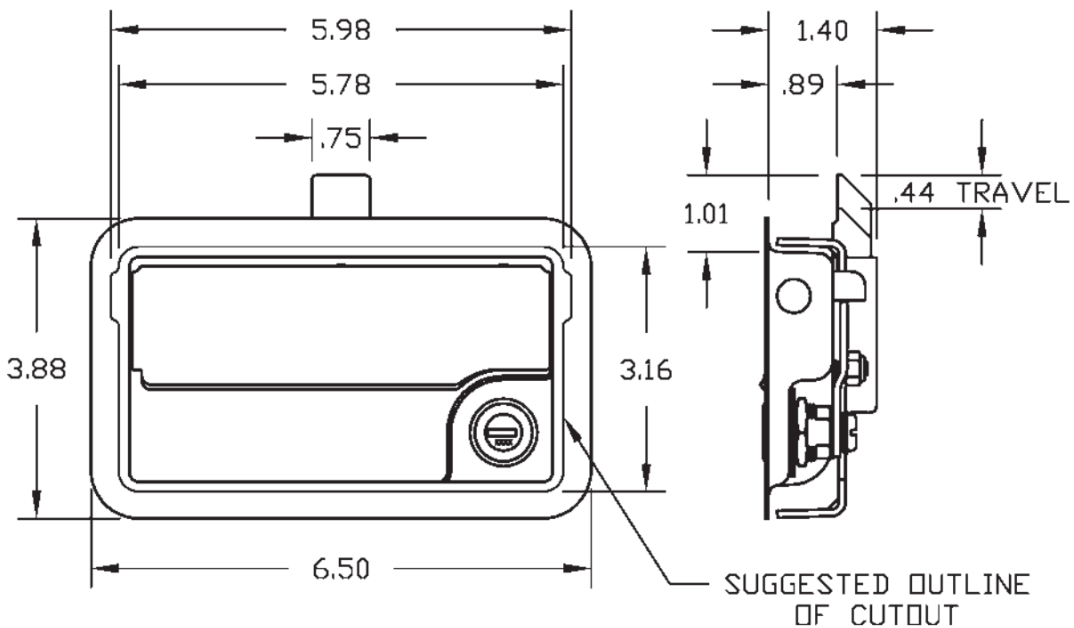
- Single point paddle latch with single slam bolt
- Automotive style of slam latch with an aesthetically pleasing finish and the added security of blind mount
- Also available in non-locking version
- Optional gaskets available made of black plastic polypropylene
- Double bitted key cylinder standard

### Material

- Receptacle: Carbon steel, zinc plated, then black powder coated
- Paddle: Stainless steel 300 series, brushed finish

### Notes

- Optional gaskets available:
  - **1-9600-15BH** Inside gasket - horizontally mounted paddle.
  - **1-9600-15BV** Inside gasket - vertically mounted paddle.
  - **1-9600-15AH** Outside gasket - horizontally mounted paddle.
  - **1-9600-15AV** Outside gasket - vertically mounted paddle.



Part No.	Type
9700-U	Key Locking
9701-U	Non Locking

Dimensions in inches